

## **DAIWA Tournament SS3000 / SS2600 / TS5000T QUICK-DRAG Conversion**

The complete factory-fitted spool & drag knob assembly provides an effective clutch mechanism to the DAIWA Tournament series of big-pit reels. To go from fully 'locked up' to 'free spool' typically requires up to five full revolutions of the drag knob. QUICK-DRAG philosophy reduces the amount of turns required to go from fully 'locked up' to 'free spool', typically requiring approximately half a revolution of the drag knob,

In it's normal state, the clutch operates within a two-part process:

- The steel spring within the drag knob compresses with each clockwise revolution of the drag knob, imparting resistance on the spool washer assembly.
- Once the spring within the drag knob is fully compressed, the felt washers within the spool will also begin to compress - eliminating spool rotation gradually.

By replacing the spring within the drag knob assembly & the felt washers within the spool, this reduces the amount of turns of the drag knob required to impart compression on the spool washer assembly, allowing effective QUICK-DRAG operation.

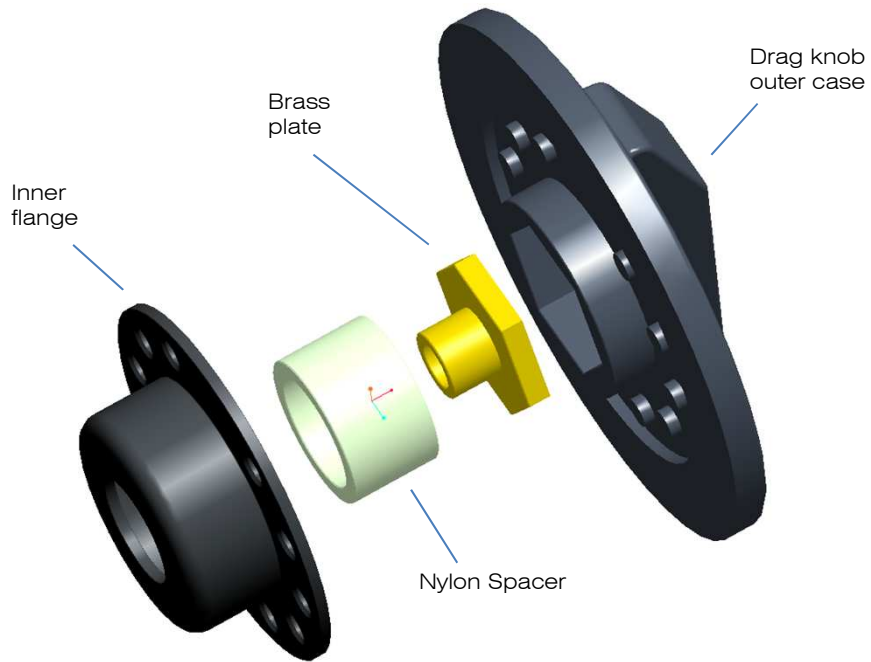
## **STOP PRESS... STOP PRESS... STOP PRESS...**

Having exclusively sourced a supply of the components necessary to complete this conversion, I am now able to provide a low-cost solution - The QUICK-DRAG CONVERSION KIT is now available for the following reels:

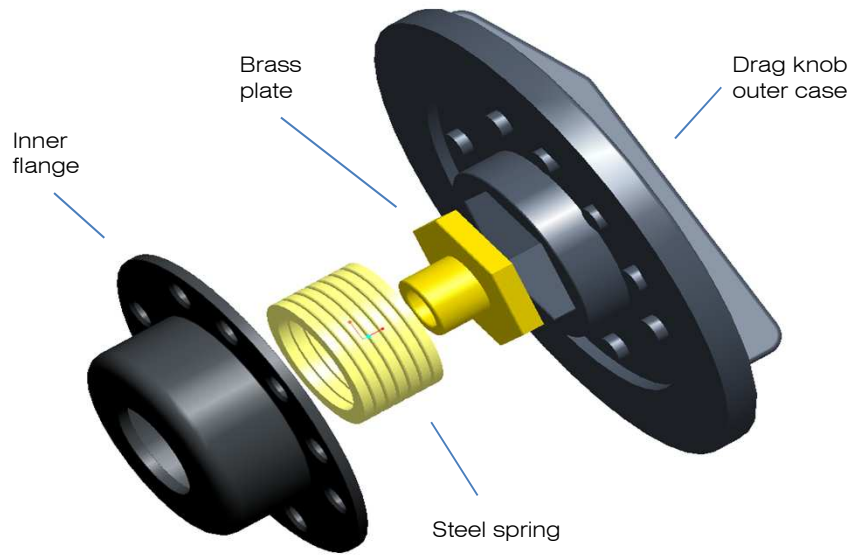
- DAIWA Tournament SS3000
- DAIWA Tournament SS2600
- DAIWA Tournament TS5000T
- DAIWA Emblem S5000T
- DAIWA Emblem H5000T
- DAIWA Emblem Z5000T
- DAIWA Entoh 5000 / 5500

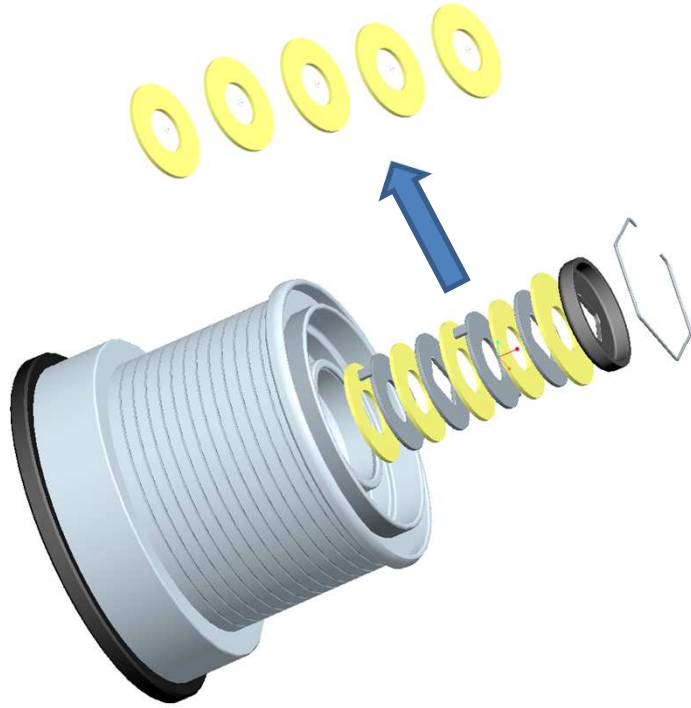
These kits may well be suitable for other DAIWA Big-Pit type reels – I will update this list further when they have been identified.

For further information, log on to: [www.freewebstore.org/Quick-Drag-Conversions](http://www.freewebstore.org/Quick-Drag-Conversions)



*Remove steel spring & replace with sleeve*





Remove felt washers & replace with nylon washers

